



Service Manual

Side by Side

S20B TSB21-A/G

Model Version		Page
S20B TSB21-A/G 8586 150 15002		
	Technical data	2
	Spare part list	3 - 4
	Exploded view	5 - 14
	Circuit and Wiring diagram	15 - 16

Technical data

Factory Code

SB 540 W

Dimensions

Height	176.8	cm
Width	90.2	cm
Depth	75.6	cm

Capacity

Total

gross	546	l
net	490	l

Cooling

gross	340	l
net	335	l

Freezing

gross	206	l
net	133	l

Electrical connection

Voltage	220 - 240	V
Frequency	50	Hz

Power consumption

in 24 hours	1.37	kWh
-------------	------	-----

Freezing capacity

in 24 hours	12	kg
-------------	----	----

Compressor

Type	EGY 90 HLC CP	
Capacity (CECOMAF)	174	W

Refrigerant

Type	R 134 a	
Quantity	160	g

Thermostat

Electronic

Capacity (ice cube machine)

in 24 hours	2.3	kg
-------------	-----	----

Spare part list

Model **S20B TSB21-A/G**
Service No. **858615015002**
Version **858615015002**

Pos. No.	12NC Code	Description
012 1	4812 528 78061	Roller rear
012 3	4812 528 78059	Roller front
012 4	4812 310 68021	Key, wheel kit
033 7	4812 459 48188	Cover SxS corner black
040 0	4812 417 19099	Hinge, upper
040 1	4812 417 19101	Hinge, upper
040 2	4812 417 19258	Hinge
040 4	4812 417 19259	Hinge
040 6	4812 417 19102	Holder, adjust. bottom
047 0	4819 021 82178	Bushing door colling
047 1	4812 532 48035	Bushing door freezing
047 4	4812 440 28896	Bushing, upper
070 0	4812 452 98236	Plinth
084 3	4812 404 18386	Rubber fan motor
101 0	4812 416 19226	Door, freezer
104 0	4812 416 18569	Door, refrigerator
105 5	4819 021 95952	Bracket, door
131 0	4819 535 98657	Lever dispenser
131 1	4819 535 98656	Lever ice maker
131 2	4812 440 10678	Flap, ice maker, with heater
131 3	4819 021 80224	Hopper icecubes, fannel
131 4	4812 440 69075	Mechanism ice dispenser
131 7	4819 021 80223	Delay
131 8	4819 021 80210	Pin
151 0	4812 418 28369	Profile
152 2	4812 418 28366	Door, dairy
153 0	4812 418 28371	Flap, door dairy
153 3	4812 418 28372	Bottle shelf
154 0	4812 418 28375	Door, dairy
154 1	4812 418 28374	Separator
154 2	4812 404 78552	Bushing door dairy
154 3	4812 462 28424	Stopper
154 4	4812 418 28373	Holder, bottles upper
154 6	4812 418 28376	Holder, bottles bottom
154 9	4812 418 28377	Door, dairy
155 0	4819 418 79054	Rack, eggs
170 0	4812 460 49293	Trim, handle, freezer
170 1	4812 460 49296	Trim, handle, cooling
170 2	4812 460 49297	Trim, door, freezing, bottom
170 3	4812 460 49295	Trim, door, cooling upper
170 4	4812 460 49292	Trim, door, cooling bottom
170 5	4812 460 49298	Trim, door, freezing, left
170 6	4812 460 49291	Trim, door, cooling, right
170 9	4812 460 49294	Profile, door
176 0	4812 452 98247	Panel, door cooling
176 1	4812 452 98245	Panel, freezing upper
176 2	4812 452 98246	Panel, door, freezing, bottom
191 0	4812 466 88644	Magnetic seal cooling
191 1	4812 466 88645	Magnetic seal freezing
201 7	4819 466 69949	Gasket
233 2	4812 404 48697	Support grid
239 2	4812 440 98124	Support flap
239 4	4812 440 69204	Cover, ice maker
239 5	4812 418 28382	Ice maker
239 7	4812 418 28368	Container ice

Pos. No.	12NC Code	Description
239 8	4812 418 28433	Container, ice, cpl.
241 0	4812 458 19113	Basket
241 1	4812 458 19112	Basket bottom
241 3	4812 440 69202	Insert basket
241 5	4812 460 49285	Trim, basket
242 0	4812 418 28365	Drawer bottom
242 1	4812 418 28363	Drawer upper
242 3	4812 418 28364	Drawer center
245 5	4812 458 19108	Grid upper
245 6	4812 458 19109	Grid lower
245 8	4812 458 19111	Basket
245 9	4812 440 78995	Tray, leak, dispenser
249 0	4812 460 49286	Trim
249 1	4812 460 49283	Trim basket
249 2	4812 460 49284	Trim
249 3	4812 460 49287	Trim
249 4	4812 460 49282	Trim glass plate
249 9	4812 460 49288	Trim
251 0	4812 380 28027	Reflector cooling
251 1	4812 440 98122	Cover f. lamp cooling
251 4	4812 404 18387	Gasket lamp
251 5	4812 460 49289	Trim
251 8	4812 380 28028	Lid, lamp
251 9	4812 440 98125	Cover f. lamp freezer
252 0	4812 440 29367	Lampholder, lamp
253 1	4812 462 79645	Cover switch
255 1	4812 450 88094	Glass shelf
255 4	4812 450 88095	Glass shelf
255 5	4812 450 88096	Glass shelf
255 7	4812 418 28359	Frame, glass plate
255 8	4812 418 28361	Frame, glass plate
255 9	4812 418 28362	Frame, glass plate
256 0	4812 460 58384	Slide air inlet
256 5	4819 466 98997	Rail air inlet
261 0	4812 462 38139	Slide right
261 1	4812 462 38138	Slide left
263 6	4812 462 38155	Guide right
263 7	4812 460 98041	Guide ice maker
263 8	4812 404 48702	Stud
263 9	4812 404 48701	Stud
304 0	4812 418 88995	Support, electrical parts
320 0	4812 453 10289	Control cover compl. w. electr.
324 6	4812 442 29167	Air diffuser
400 0	4812 028 58341	Motor, ice conveyor
402 0	4812 360 38812	Compressor EGY 90 HLC CP
402 1	4812 418 28378	Cup, thaw water
402 2	4819 360 48014	Valve flap
402 4	4819 492 68712	Clip, fix f. compressor
406 2	4812 440 89009	Housing ice maker
406 3	4812 492 98032	Spring ice maker
406 7	4812 440 79023	Cover
406 8	4812 530 88024	Shaft gear
407 0	4812 404 78554	Fastener
407 1	4812 310 28142	Bushing for shaft kit
420 0	4812 120 28023	Capacitor

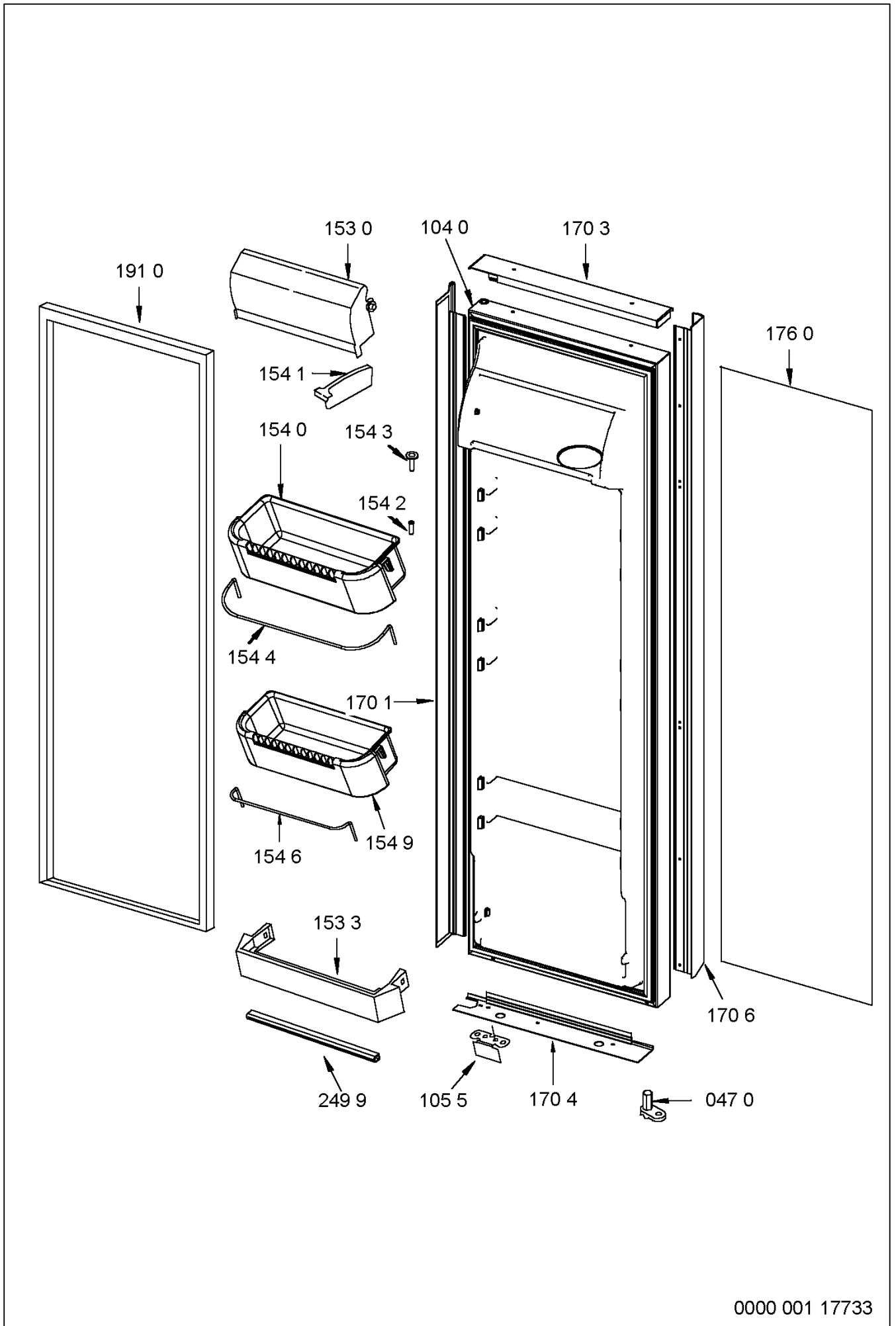
Spare part list

Model S20B TSB21-A/G
Service No. 858615015002
Version 858615015002

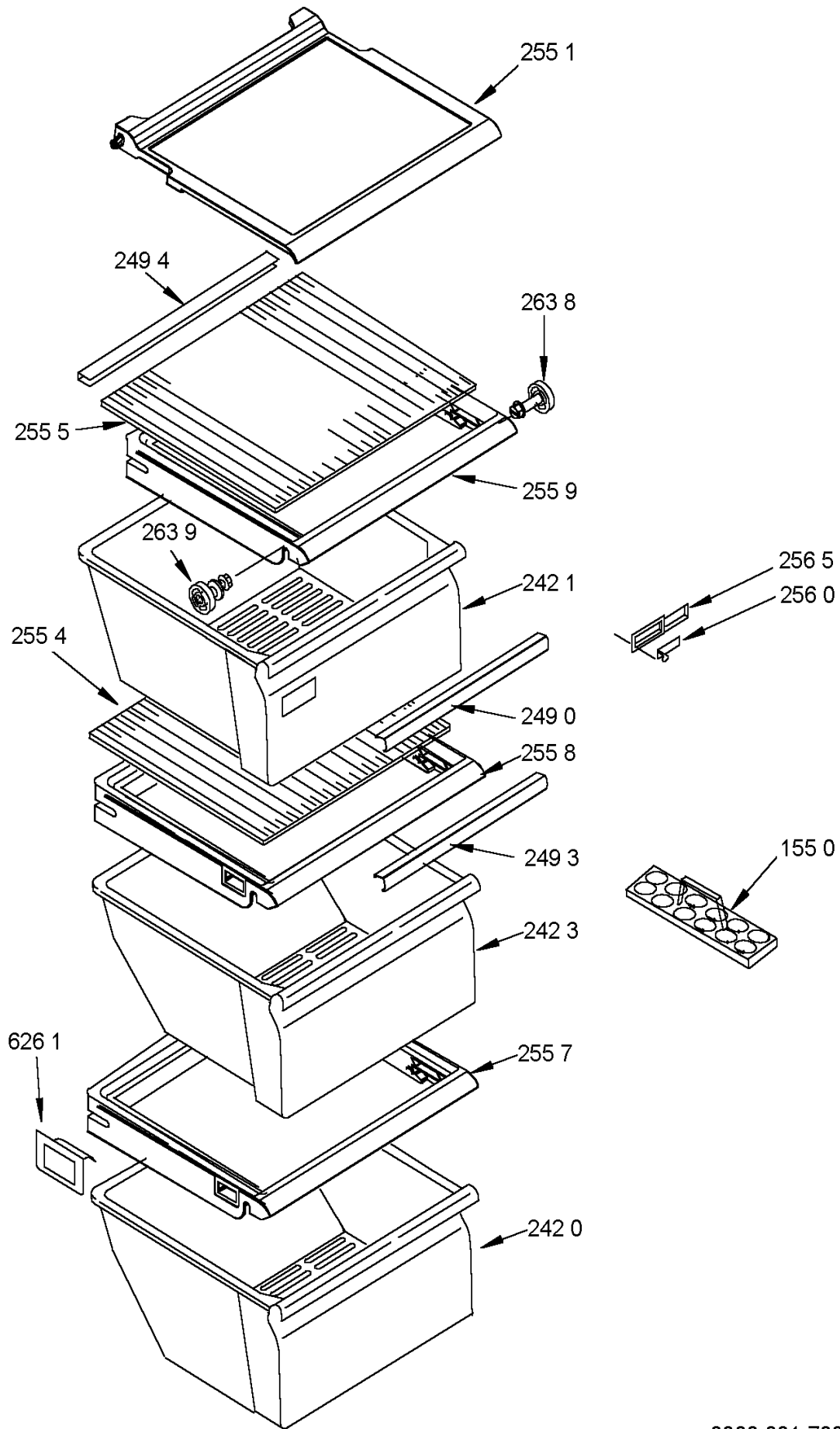
Pos. No.	12NC Code	Description
420 4	4812 442 29019	Insulator
437 0	4812 218 48049	Sensor, emitter
438 0	4812 217 28001	Receiver
440 3	4812 445 28021	Air diffuser, + motor
440 4	4812 462 38141	Slide
440 5	4819 021 82147	Grid, air
440 6	4819 462 38778	Slide
440 7	4812 452 98237	Insulator condenser
441 0	4812 028 58339	Motor
441 1	4819 462 48418	Grommet compressor
441 2	4812 440 68962	Support right
442 0	4812 361 38067	Motor, fan
442 1	4819 404 78682	Bracket
443 0	4819 515 48057	Fan blade
443 1	4812 440 79018	Holder ventilator
451 0	4819 021 88177	Element defrost
451 1	4819 401 18692	Clamp
491 0	4812 290 88087	Cover connection block
526 2	4812 440 79126	Control board + housing
526 5	4812 440 29368	Lid, electronic box
561 0	4812 290 68269	Protect, motor
561 2	4812 440 79022	Cover overload
562 0	4812 320 58132	Cable harness, bi-metal thermostat
571 0	4812 360 58283	Valve, inlet
614 0	4812 290 68262	PTC-Unit
620 1	4812 277 88002	Switch
620 4	4819 276 18157	Switch light
621 0	4819 271 38044	Microswitch ice maker + dispenser
626 1	4812 440 79112	Deflector
643 0	4812 215 38013	Thermometer, SPACE 4-SxS
651 0	4812 134 28078	Lamp
651 2	4812 134 28077	Lamp, dispenser unit
652 1	4812 310 28188	Unit control light, compl.
652 4	4819 021 80200	Holder, lamp dispenser
691 4	4812 404 78553	Support sensor
691 7	4812 310 18846	Sensor KIT
701 0	4819 526 48444	Coupling piece, incl. hose
702 0	4812 530 29195	Hose
711 0	4812 530 28999	Reservoir
740 0	4812 511 38215	Condenser
743 1	4812 440 98121	Cover, air diffuser
743 3	4812 466 88722	Gasket
745 0	4812 360 38648	Evaporator
745 2	4812 440 79025	Cover evaporator
745 4	4819 492 68684	Clip
745 6	4819 021 49294	Heat shield evaporator
746 1	4812 440 98225	Conveyor
746 2	4812 440 69203	Cover evaporator
746 3	4812 440 98062	Gasket air guide
764 0	4819 480 28144	Dryer
781 0	4812 262 78009	Cap, water filter
781 1	4812 535 48013	Clutch waterhose
781 3	4812 530 29157	Adapter hose, 3/4"
781 7	4812 466 88646	Clutch, ice maker
781 8	4812 817 29632	Filter, water SxS Scandinavia

Pos. No.	12NC Code	Description
781 9	4812 480 88018	Filter body
783 1	4812 360 68491	Hose, ice maker
783 8	4812 530 29159	Hose, inlet
783 9	4812 530 29158	Hose, connection filter/inlet valve
785 0	4812 530 29162	Tube
900 5	4819 492 68544	Clip, fix
900 7	4819 492 68683	Clip heating element
900 8	4819 492 69522	Clip
910 9	4819 505 18249	Nut water reservoir
911 7	4819 505 18256	Nut ice maker hose
912 4	4812 560 18067	Screw
913 2	4812 560 18013	Screw freezer door
913 4	4812 500 18097	Screw
913 5	4812 500 18098	Screw
913 6	4819 004 89478	Screw
913 7	4812 502 18578	Screw
930 0	4819 021 80209	Spring ice maker
930 1	4819 021 94719	Rail
930 2	4812 418 88043	Strain relief
962 1	4812 460 49343	Holder

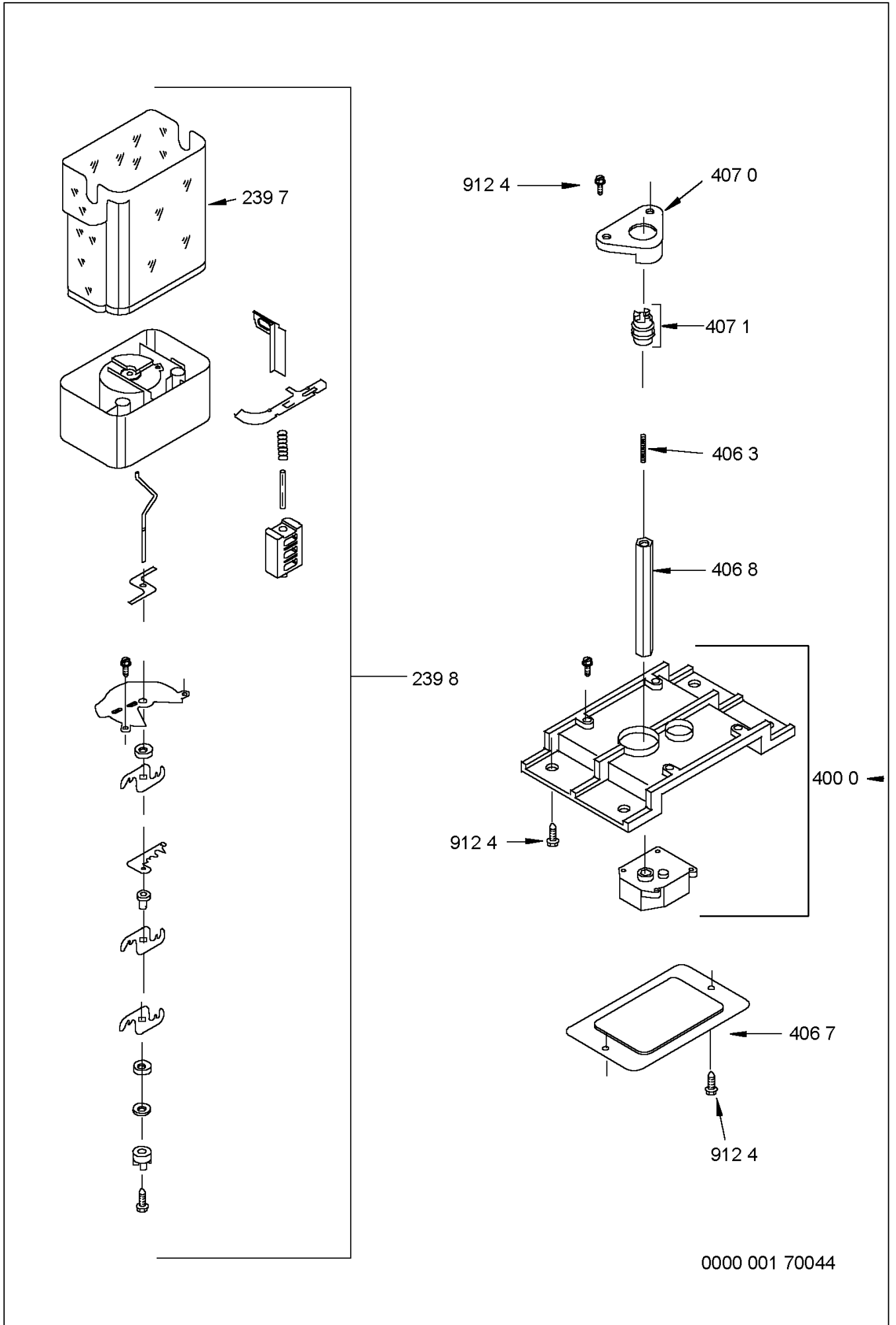
Exploded view



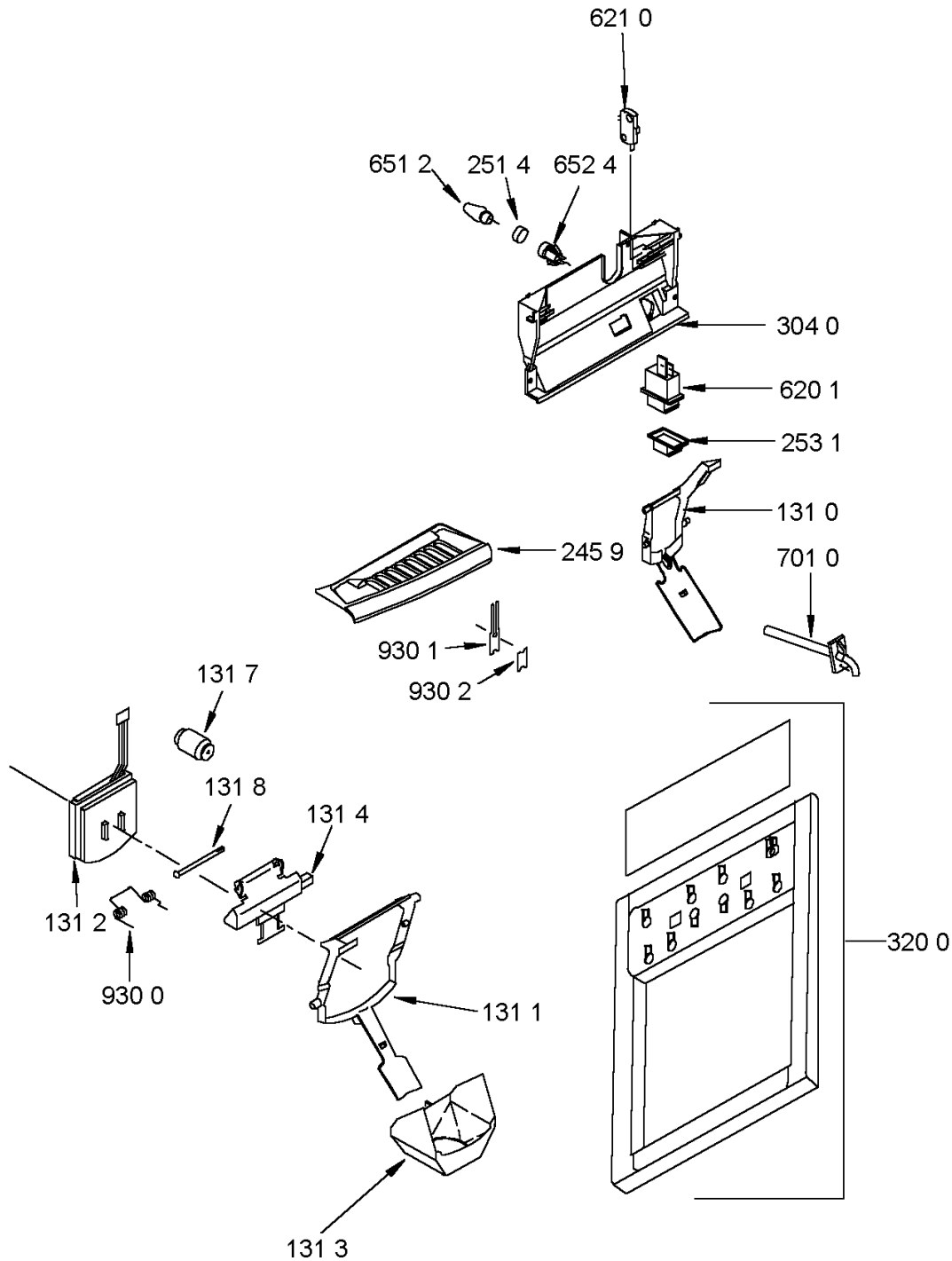
Exploded view



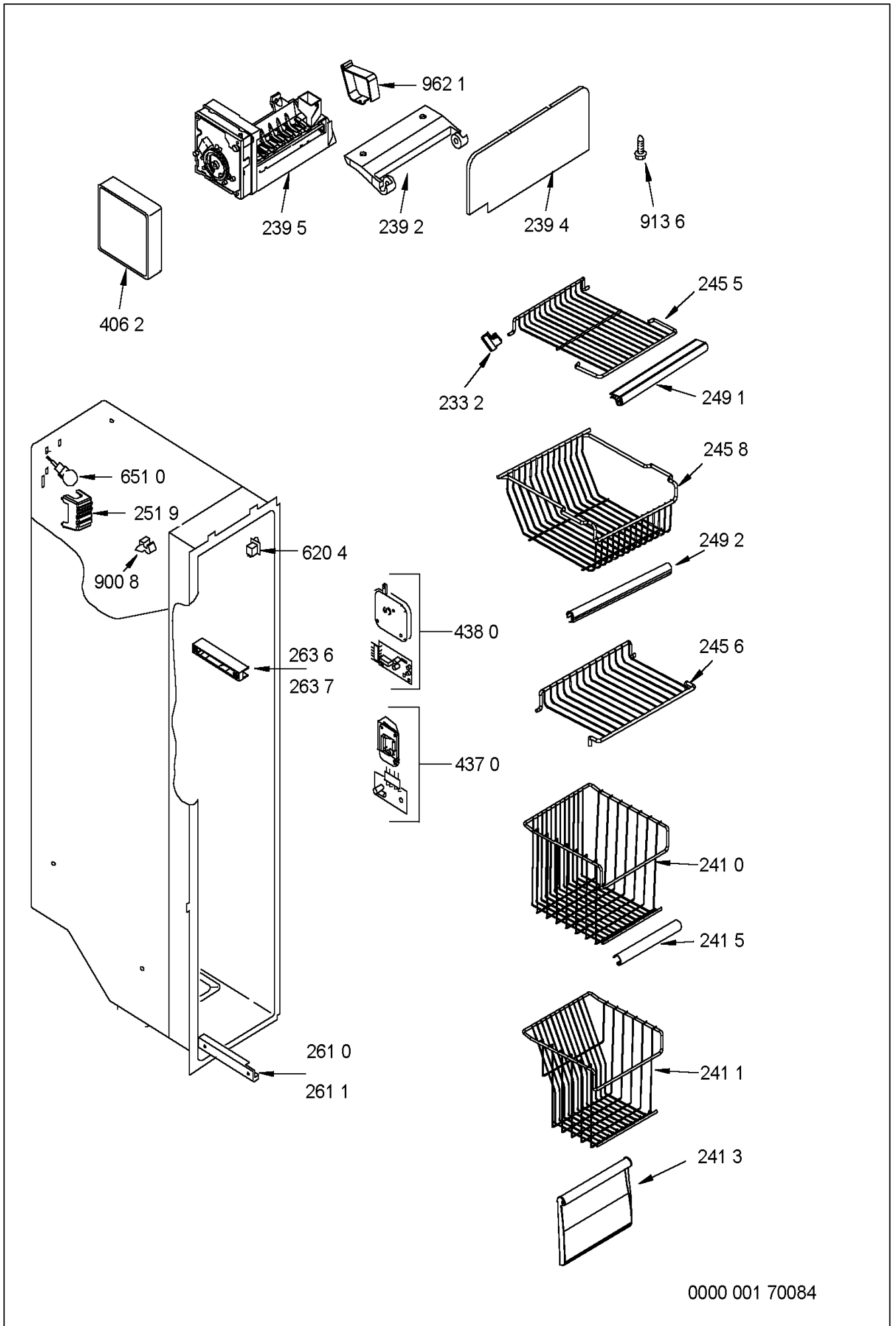
Exploded view



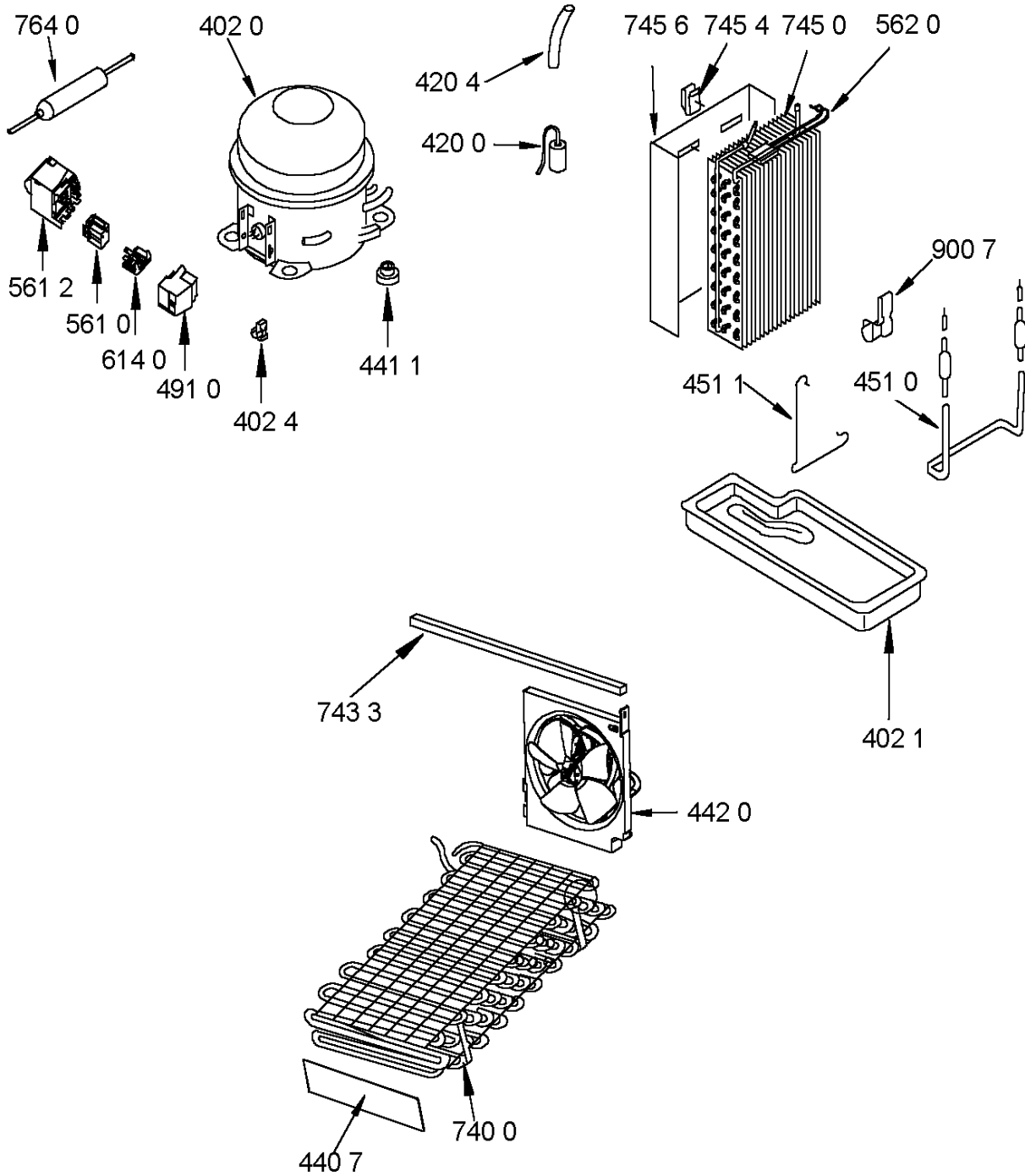
Exploded view



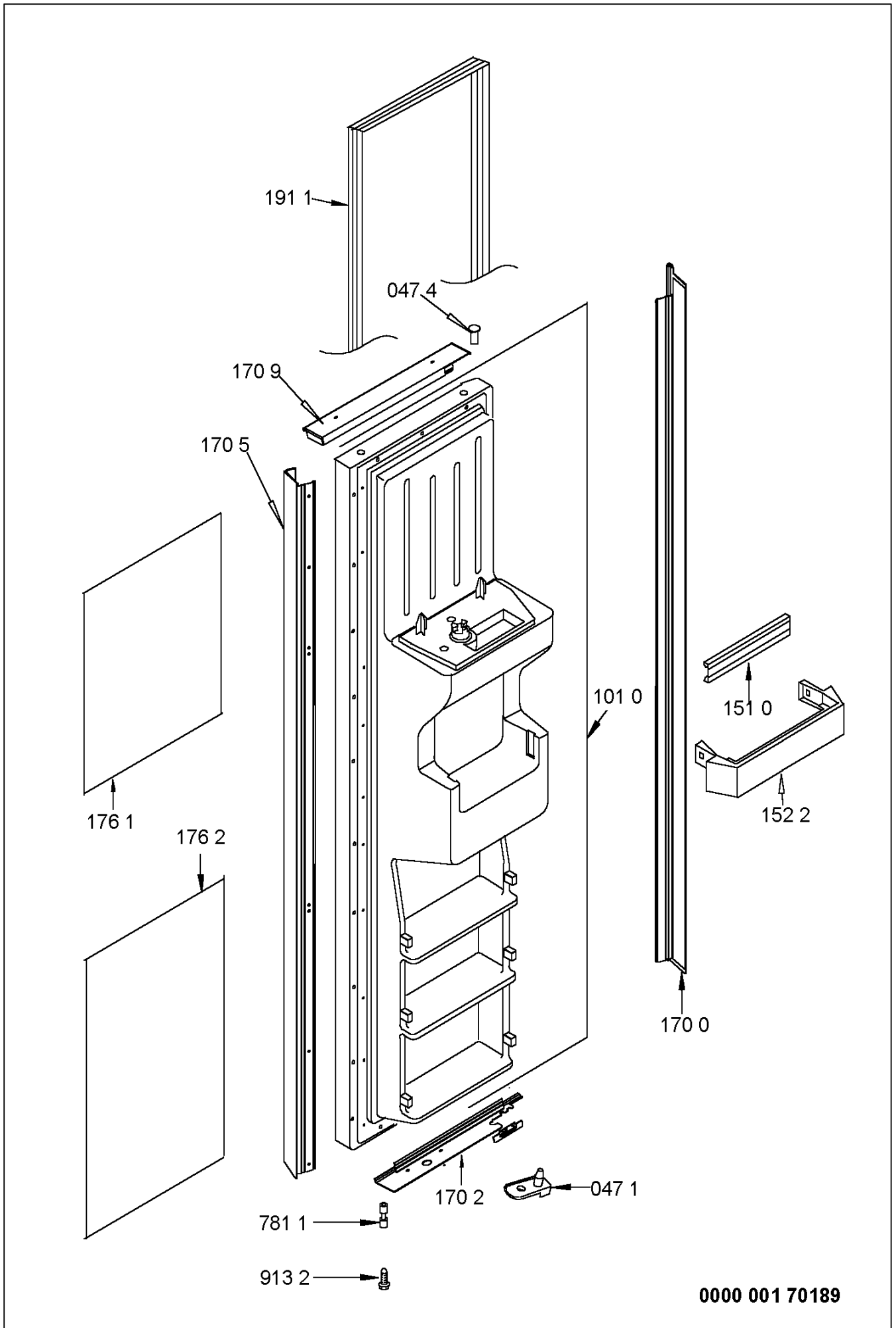
Exploded view



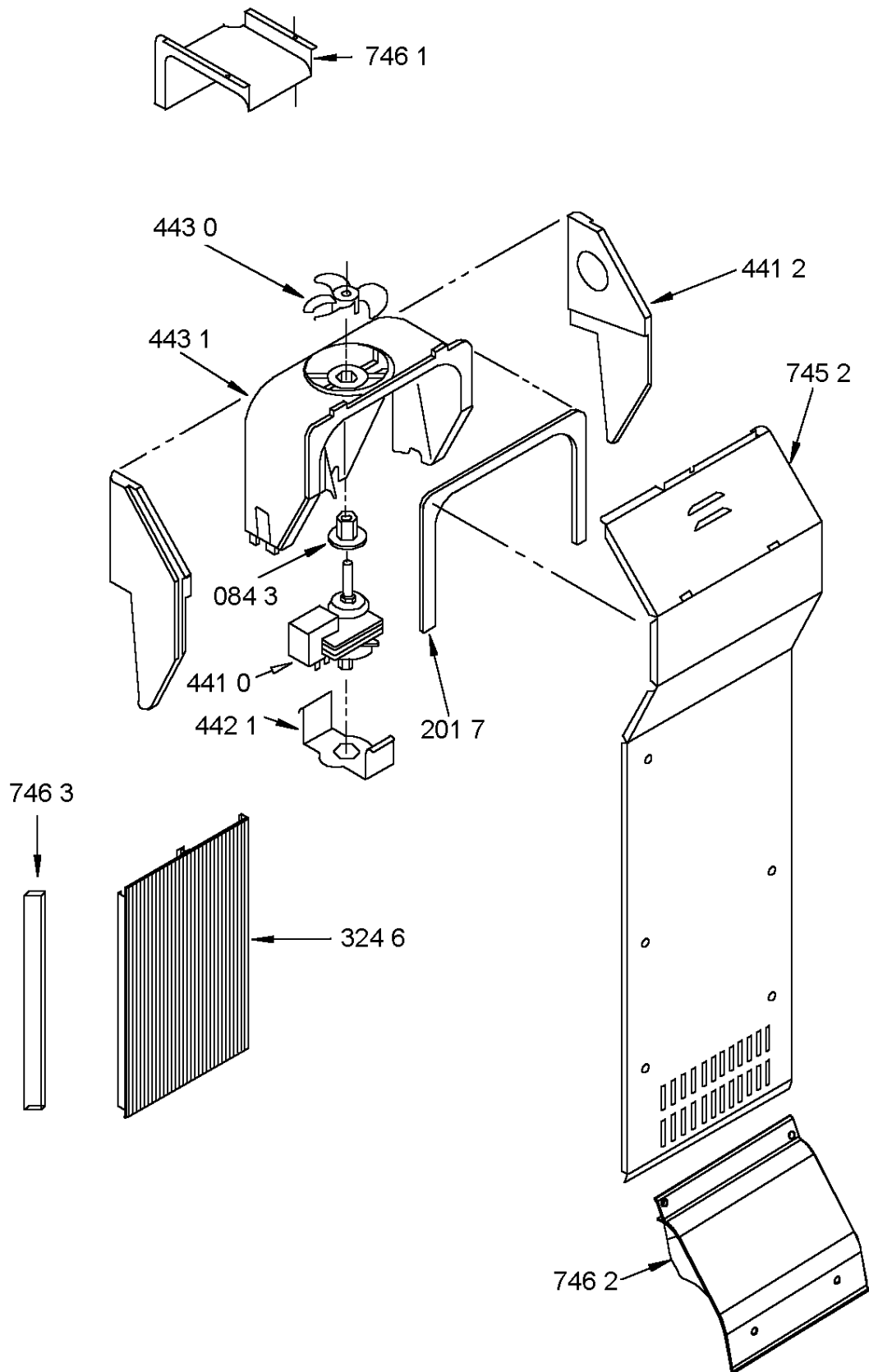
Exploded view



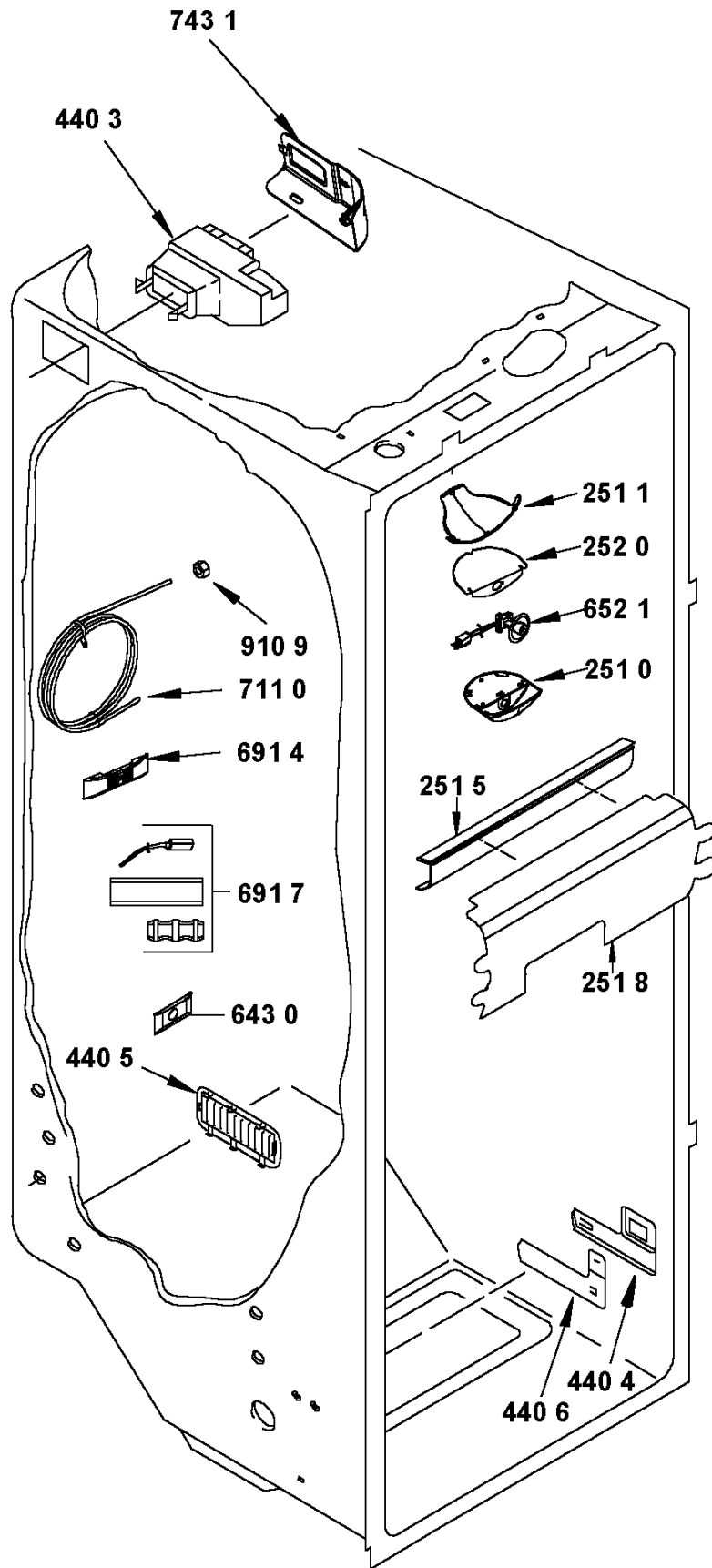
Exploded view



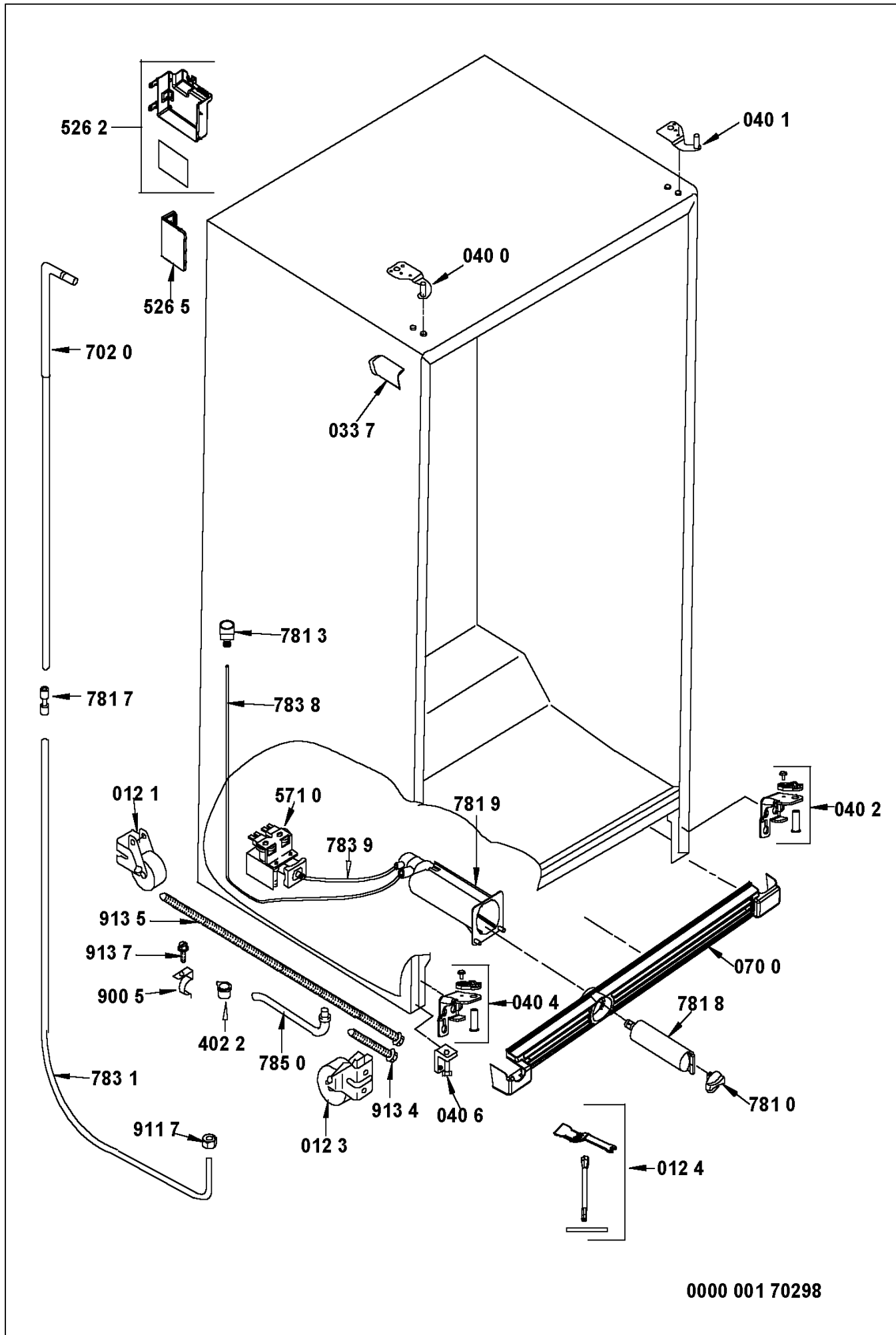
Exploded view



Exploded view

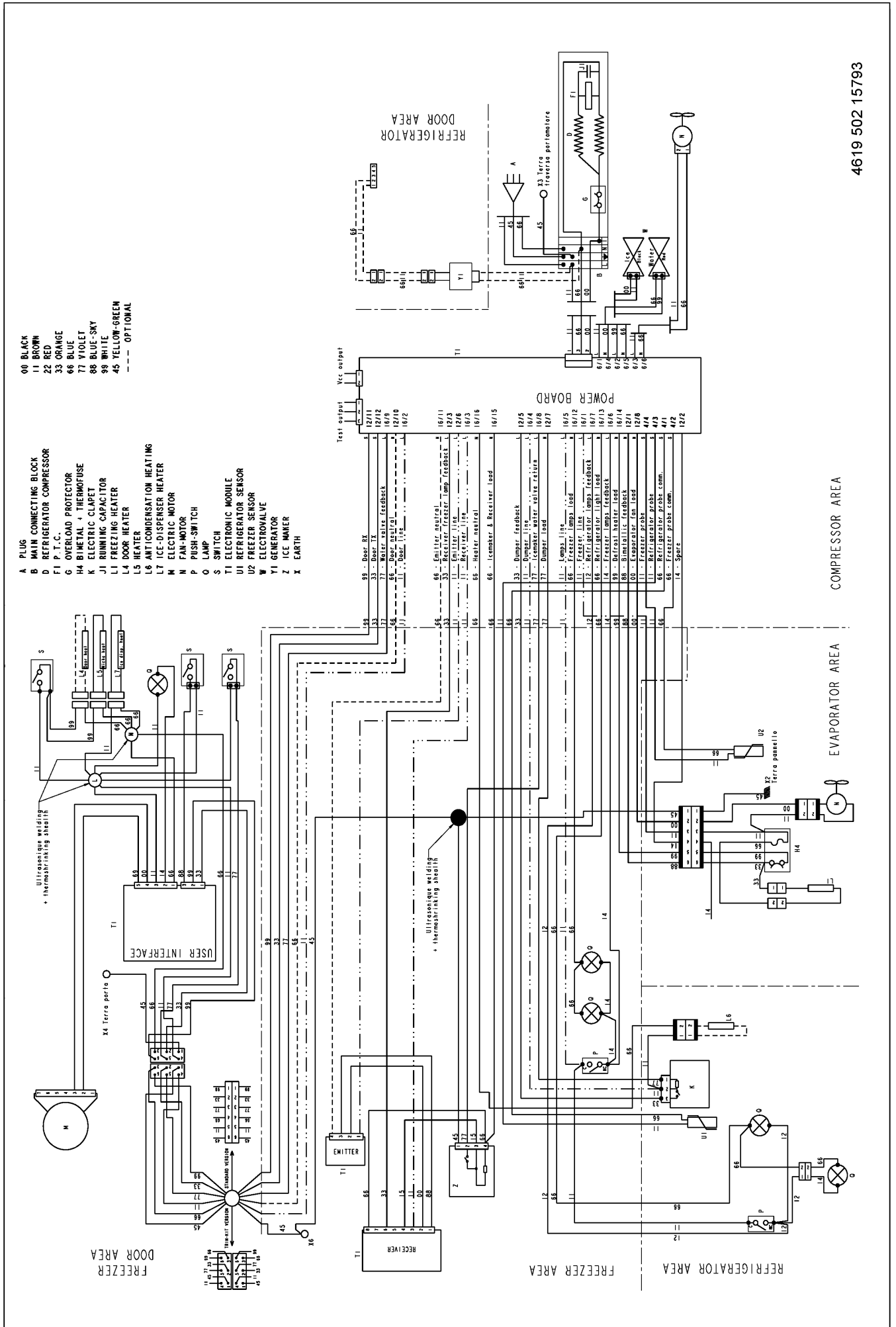


Exploded view



0000 001 70298

Circuit and Wiring diagram



4619 502 15793

Circuit and Wiring diagram

