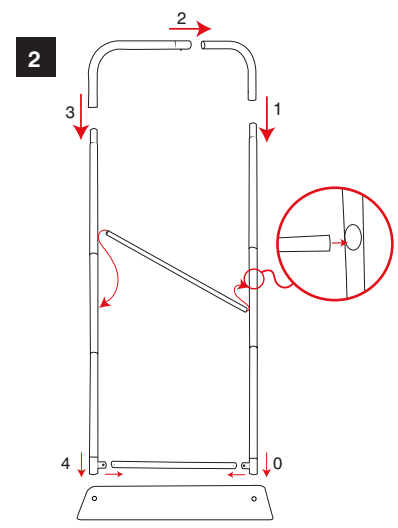
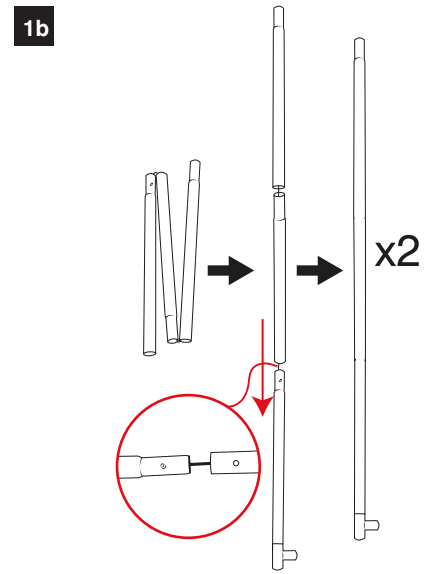
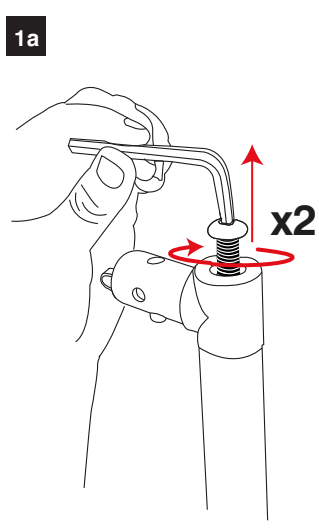
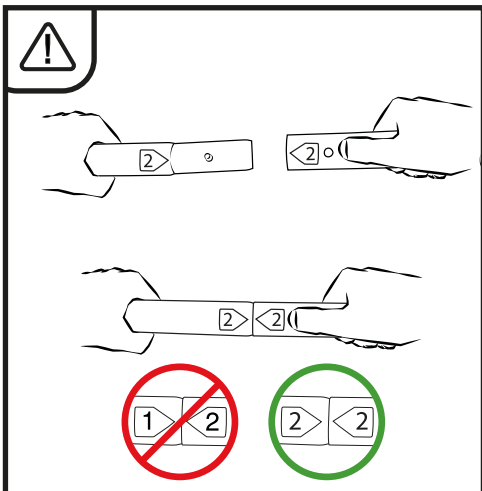
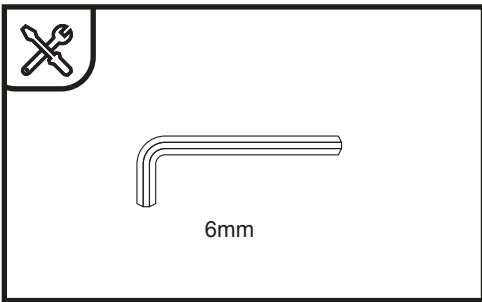
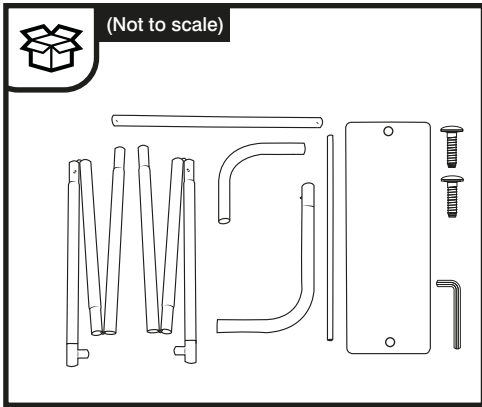
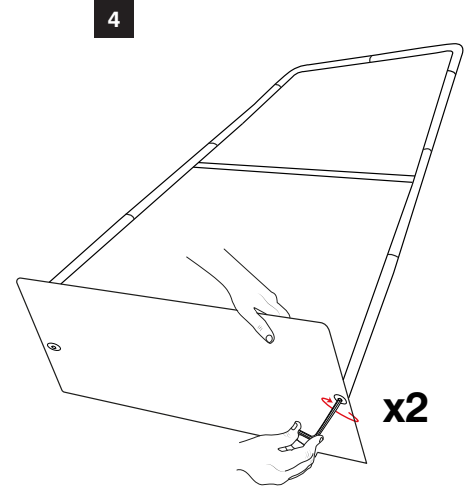
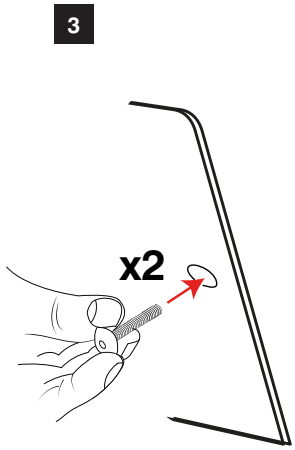


Formulate Monolith

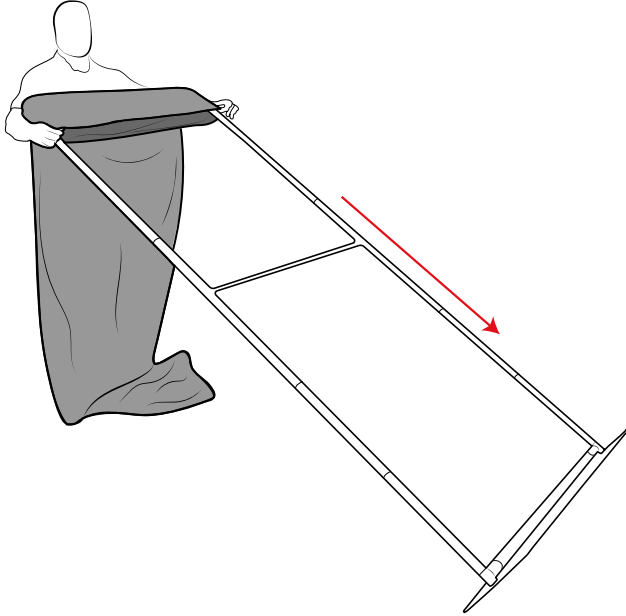


NOTE: FOR ZIPPED VERSION REFER TO STEP 5B-THEN CONTINUE TO ATTACH BASE AS PER STEPS 3 & 4



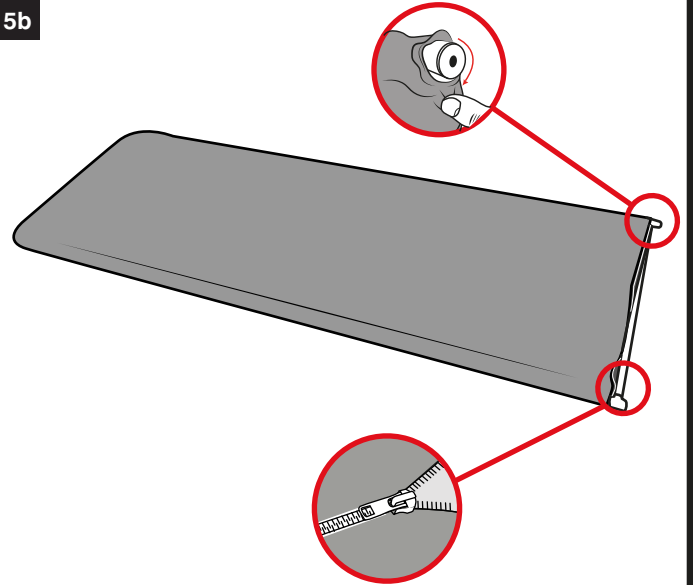


5a

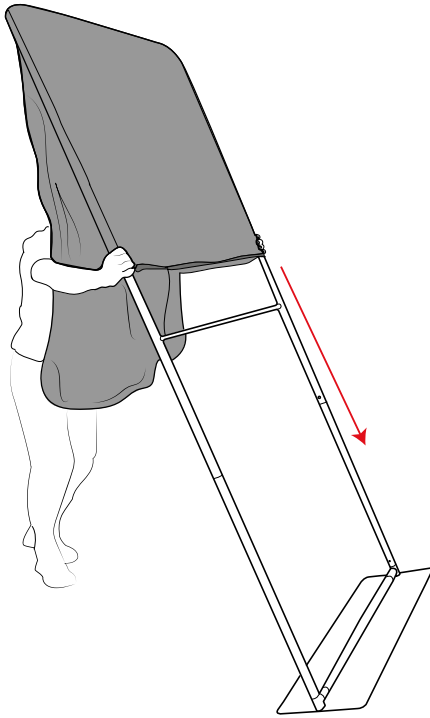


NOTE: FOR ZIPPED VERSION, GRAPHIC MUST BE ATTACHED BEFORE ATTACHING BASE

5b



6



7

